

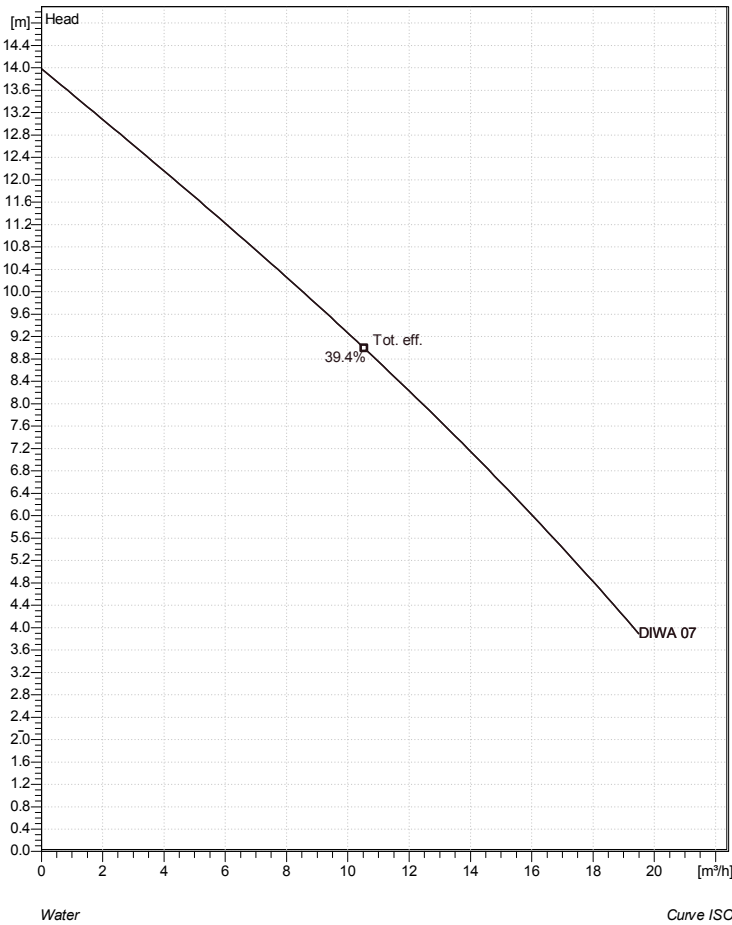
SXM 7

DIWA 07

RSK 5890081



Technical specification



Note: Picture might not correspond to the current configuration.

Impeller

Outlet diameter	0 mm
Inlet diameter	
Impeller diameter	117 mm
Number of blades	0

Installation: Pump with float switch

Motor

Motor #	MOT_ DIWA07/B
Stator variant	
Frequency	50 Hz
Rated voltage	230 V
Number of poles	2
Phases	1~
Rated power	0.75 kW
Rated current	6.2 A
Starting current	0 A
Rated speed	2880 rpm

Power factor
1/1 Load
3/4 Load
1/2 Load

Efficiency
1/1 Load
3/4 Load
1/2 Load

Project:

Project ID:

Date:

SXM 7

DIWA 07



Performance curve

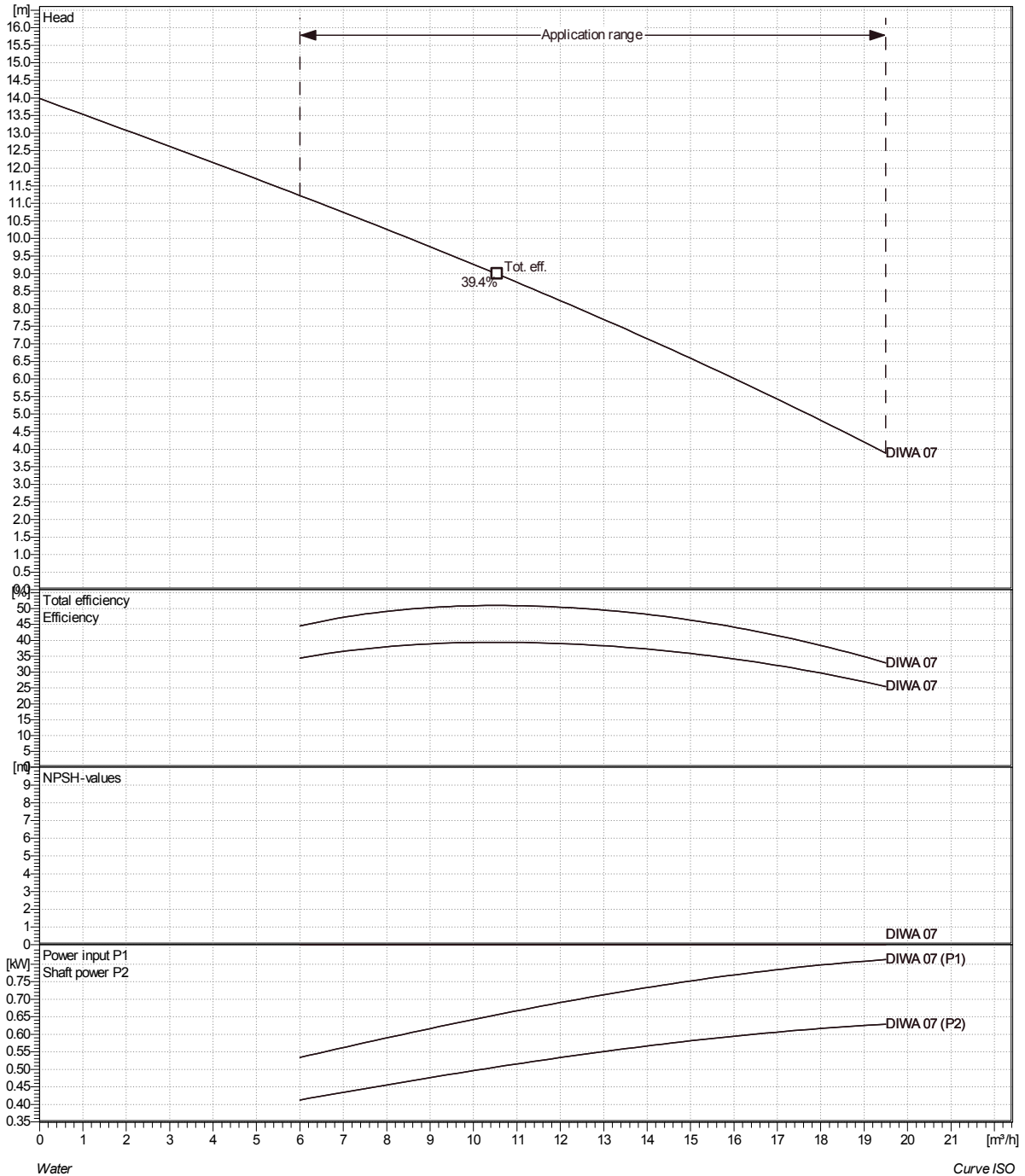
Pump

Outlet diameter 0 mm
Inlet diameter 117 mm
Impeller diameter 0
Number of blades 0

Motor

Motor # MOT_ DIWA07/B
Stator variant
Frequency 50 Hz
Rated voltage 230 V
Number of poles 2
Phases 1~
Rated power 0.75 kW
Rated current 6.2 A
Starting current 0 A
Rated speed 2885 rpm

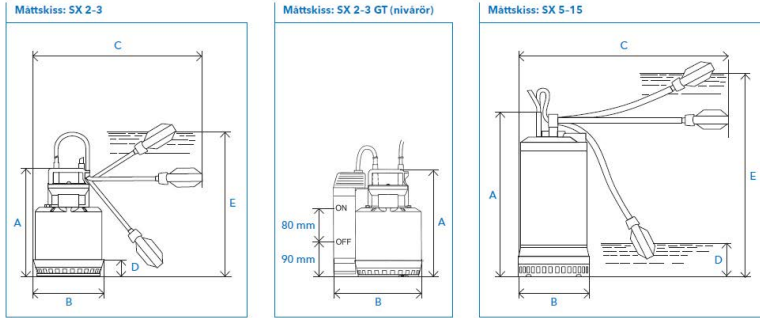
Power factor
1/1 Load
3/4 Load
1/2 Load
Efficiency
1/1 Load
3/4 Load
1/2 Load



Project	Project ID	Created by	Created on	Last update
			2015-11-12 09:15:56	

SXM 7 Installation: Pump with float switch

Dimensional drawing



D = Miniminivå E = Lågsta startnivå

Pumptyp	RSK-nr	Nivåslippa	Nivårör	Effekt, kW	Märkström		Max tryckhöjd m	Max flöde l/min	Pumputlopp inv. gänga, ø	Max temp. pumpad vätska	Max nedsläkningsdjup	Vikt	Mått i mm (se skiss)				
					1-fas, 230 V	3-fas, 400 V							A	B	C	D	E
SXM 2	589 00 79	•	-	0,25	1,4 A	-	6,5 m	135	1 1/4" (32 mm)	40°	5 m	4 kg	245	155	390	50	330
SXM 2 GT	589 00 90	-	•										245	200	-	-	-
SXM 3	589 00 80	•	-	0,55	3,0 A	-	11 m	225	1 1/4" (32 mm)	40°	5 m	6 kg	285	155	390	90	370
SXM 3 GT	589 00 92	-	•		3,0 A	-							285	200	-	-	-
SXM 5	589 00 72	•	-	0,55	3,9 A	-	11 m	225	1 1/4" (32 mm)	50°	7 m	12 kg	343	178	459	80	425
SXM 7	589 00 81	•	-	0,75	6,2 A	-	14 m	325	1 1/4" (32 mm)	50°	7 m	14,5 kg	358	178	484	80	485

Project:
Project ID:
Date: